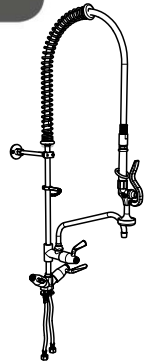
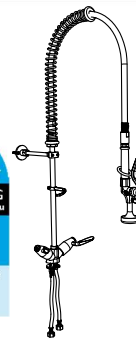




Ezy-Wash® Pre-Rinse Tapware

PRODUCT CODE:

- TF100HJS
- TF100HJP



SPECIFICATIONS

- Galvin Specialised recommends the installation of strainers and pressure reducing valves prior to installing the pre-rinse unit to ensure clean consistent water supply. Debris or poor water quality could cause the trigger to seize or fail to seal.
- This pre-rinse unit has a 6 star WELS rating, the pot filler attachments are 0 star to allow fast pot filling.

TECHNICAL DATA

Inlet		½" BSP – Female Flexi Tail
Outlet	TF100HJS	Trigger Spray
	TF100HJP	Trigger Spray & Pot Filler
Headworks	TF100HJS	Jumper Valve
	TF100HJP	Jumper Valve
Working Pressure Range (kPa)	Min	100
	Max	500
Working Temperature Range (°C)	Min	5
	Max	65
Nominal Flow Rate (LPM)	TF100HJS	3.5
	TF100HJP	15
Finish		Chrome

NOTE: Galvin Specialised continually strives to improve their products. Specifications may change without notice. Higher temperature or pressures could result in premature failure and void the manufacturer's warranty.

TOOLS REQUIRED

- Adjustable Spanner
- Hex key
- Power Drill



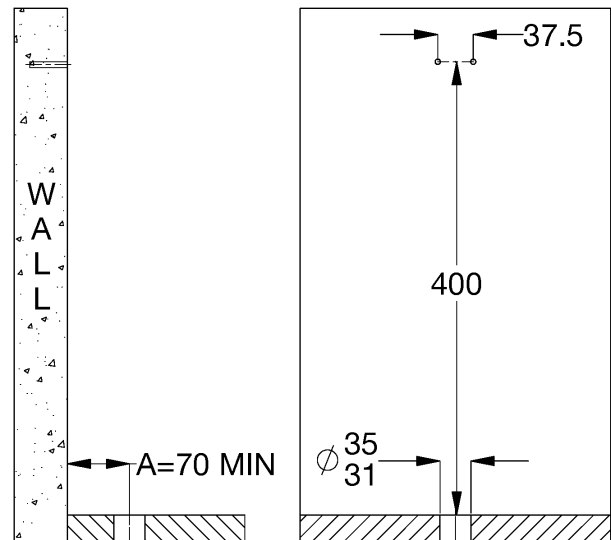
PRE-INSTALLATION

Body:

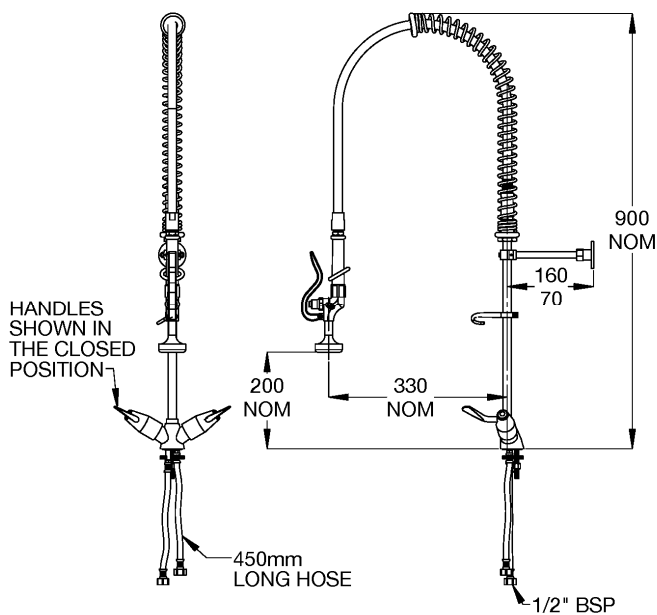
- If the mounting hole does not already exist, mark out and drill the hole in the bench, as shown.
- This model is a single inlet unit requiring a hole diameter of 31mm - 35mm. Ensure 70mm minimum between wall and hole center as shown "A".
- Maximum bench thickness is 45mm.

Wall Bracket:

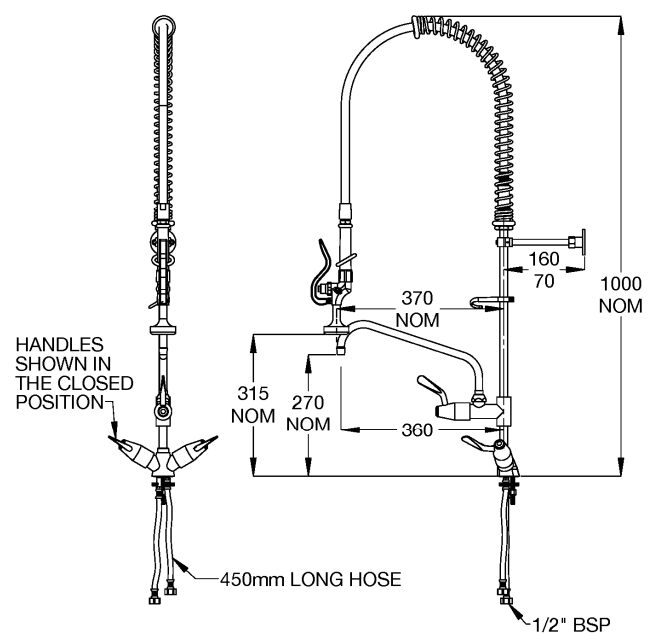
- Mark out the two (2) holes for mounting the wall bracket assembly at the height of 400 mm directly up from the bench. Cut out or drill as shown in the image. (Supplied fasteners may not be suitable for the mounting surface. If this is the case, suitable fasteners will need to be sourced by the installer)



MOUNTING DETAILS



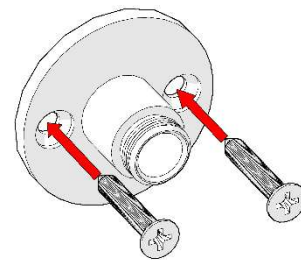
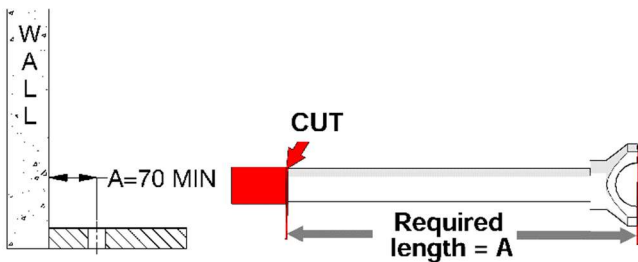
TF100HJS - Assembly



TF100HJP - Assembly

INSTALLATION

INSTALLATION COMPLIANCE: Galvin Specialised products must be installed in accordance with these installation instructions and in accordance with AS/NZS 3500, the PCA and your local regulatory requirements. Water and/or electrical supply conditions must also comply to the applicable national and/or state standards. Failing to comply with these provisions shall void the product warranty and may affect the performance of the product.



1. Measure and cut support rod

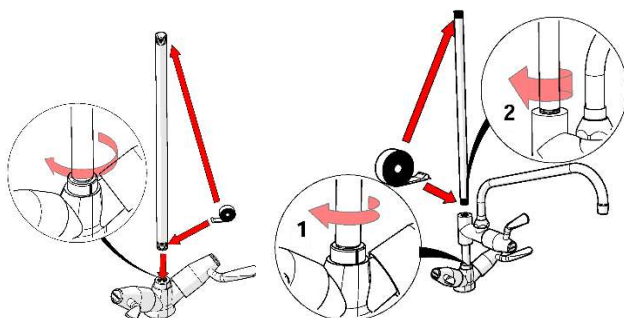
- Measure the distance between the wall mounting surface and the centre line of the drilled hole in the bench/trough (dimension “A”).
- This is the required length of the support rod (**Required support rod length = A=70mm min.**)
- Cut the support rod accordingly.

Note: Distance “A” must be no less than 70mm. The support rod length can be 70mm min. to 160mm max.

2. Fit wall bracket

- Secure the wall bracket to the wall.
- Supplied fasteners may not be suitable for the mounting surface. If this is the case, suitable fasteners will need to be sourced.

Note: The wall bracket must be mounted with two screws for stability and strength. This is critical and failure to do this may void the warranty.

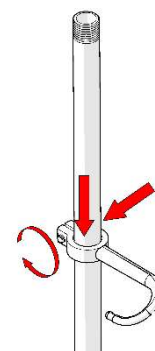


TF100HJS

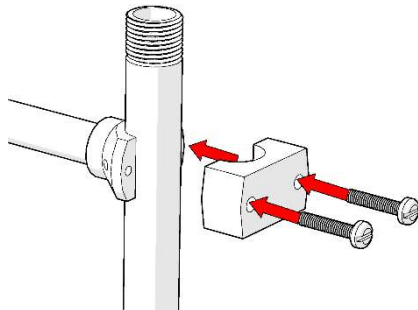
TF100HJP

3. Fit pre-rinse riser

- If pot filler kit (TF100HJP) has been purchased, it must be attached to the pre-rinse unit prior to fitting the riser to the body. Apply thread tape to the end of the short riser and fit into mixer body and tighten, ensuring correct orientation.
- Standard pre-rinse (TF100HJS) - apply thread tape to both ends of the riser and fit into the mixer body and tighten.

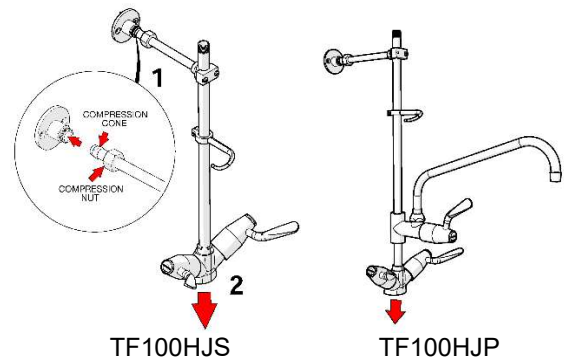


4. Fit hook to riser (as shown)



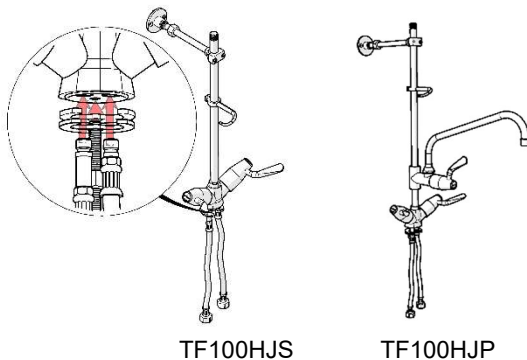
5. Fit support rod

- Fit support rod to the riser and secure the screws as shown, ensure it is not fully tightened.



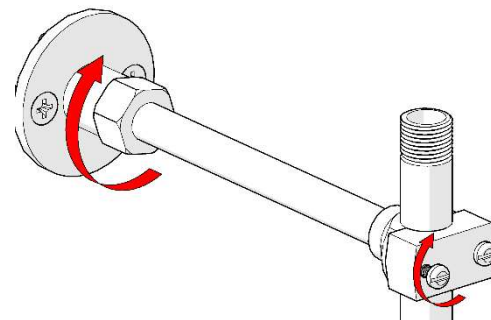
6. Fit pre-rinse riser assembly

1. Fit compression nut to support rod, followed by the compression cone and locate the support rod into wall bracket.
2. Fit the Pre-Rinse riser assembly through the drilled hole on the bench.



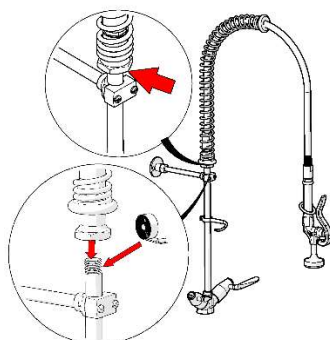
7. Fit pre-rinse riser assembly

- Fit the two supplied flexi hoses into the body.
- Secure body with supplied stud nut, ensuring to use rubber and 'C' washer



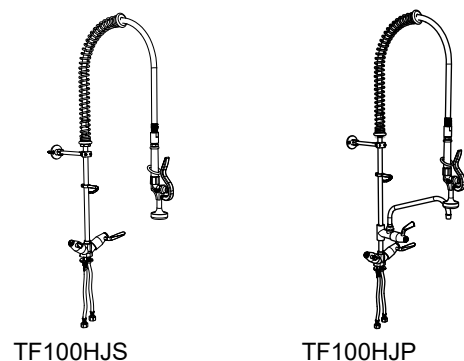
8. Secure support rod

- Fasten support rod securely against the riser.
- Tighten compression nut on wall bracket to secure the support rod. The rod is now rigid.



9. Fit hose




- Fit hose to the pre-rinse riser with a spanner, ensure apply thread tape the riser.



10. Test unit

- Once all fittings have been tightened securely, connect the unit to the mains water.
- Turn on water and test the unit for any leaks.

WARNINGS

-  For optimum performance it is recommended that the isolation or mains taps are turned off whilst the unit is not in use (overnight etc.), so that the unit is not under mains pressure when unsupervised. Flood damage may occur if a failure occurs whilst the unit is under mains pressure (warranty is void in this instance).
-  Galvin Specialised recommends that the handpiece is periodically serviced by a qualified plumber.
-  **IMPORTANT:**
To seal the hose this unit uses Loctite 577 which is a thread sealant approved for use with potable water (AS/NZS 4020). If hose is to be removed for maintainance purposes, reseal the joints with Loctite 577, or an equivalent sealant compliant with AS/NZS 4020. Do not use thread tape to seal the hose connections, as this may cause the hose nut to become loosened over time and leak.

WARRANTY

The warranty set forth herein is given expressly and is the only warranty given by the Galvin Engineering Pty Ltd. With respect to the product, Galvin Engineering Pty Ltd makes no other warranties, express or implied. Galvin Engineering Pty. Ltd. hereby specifically disclaims all other warranties, express or implied, including but not limited to the implied warranties of merchantability and fitness for a particular purpose.

Galvin Engineering Pty Ltd products are covered under our manufacturer's warranty available for download from www.galvinengineering.com.au Galvin Engineering Pty Ltd expressly warrants that the product is free from operational defects in workmanship and materials for the warranty period as shown on the schedule in the manufacturer's warranty. During the warranty period, Galvin Engineering will replace or repair any defective products manufactured by Galvin Engineering without charge, so long as the terms of the Manufacturer's warranty are complied with.

The remedy described in the first paragraph of this warranty shall constitute the sole and exclusive remedy for breach of warranty, and Galvin Engineering Pty Ltd shall not be responsible for any incidental, special or consequential damages, including without limitation, lost profits or the cost of repairing or replacing other property which is damaged if this product does not work properly, other costs resulting from labour charges, delays, vandalism, negligence, fouling caused by foreign material, damage from adverse water conditions, chemical, electrical or any other circumstances over which Galvin Engineering has no control. This warranty shall be invalidated by any abuse, misuse, misapplication, improper installation or improper maintenance or alteration of the product

